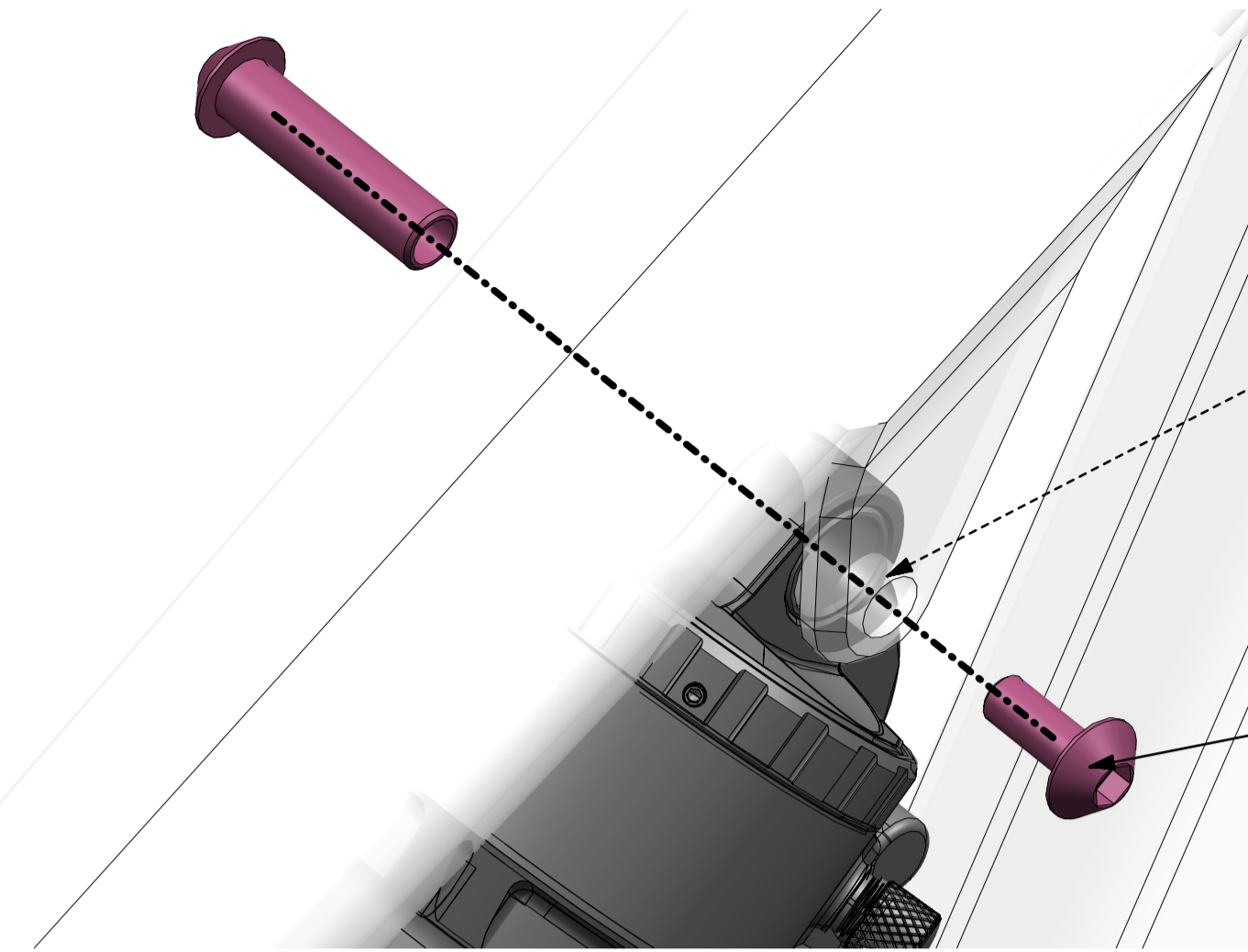


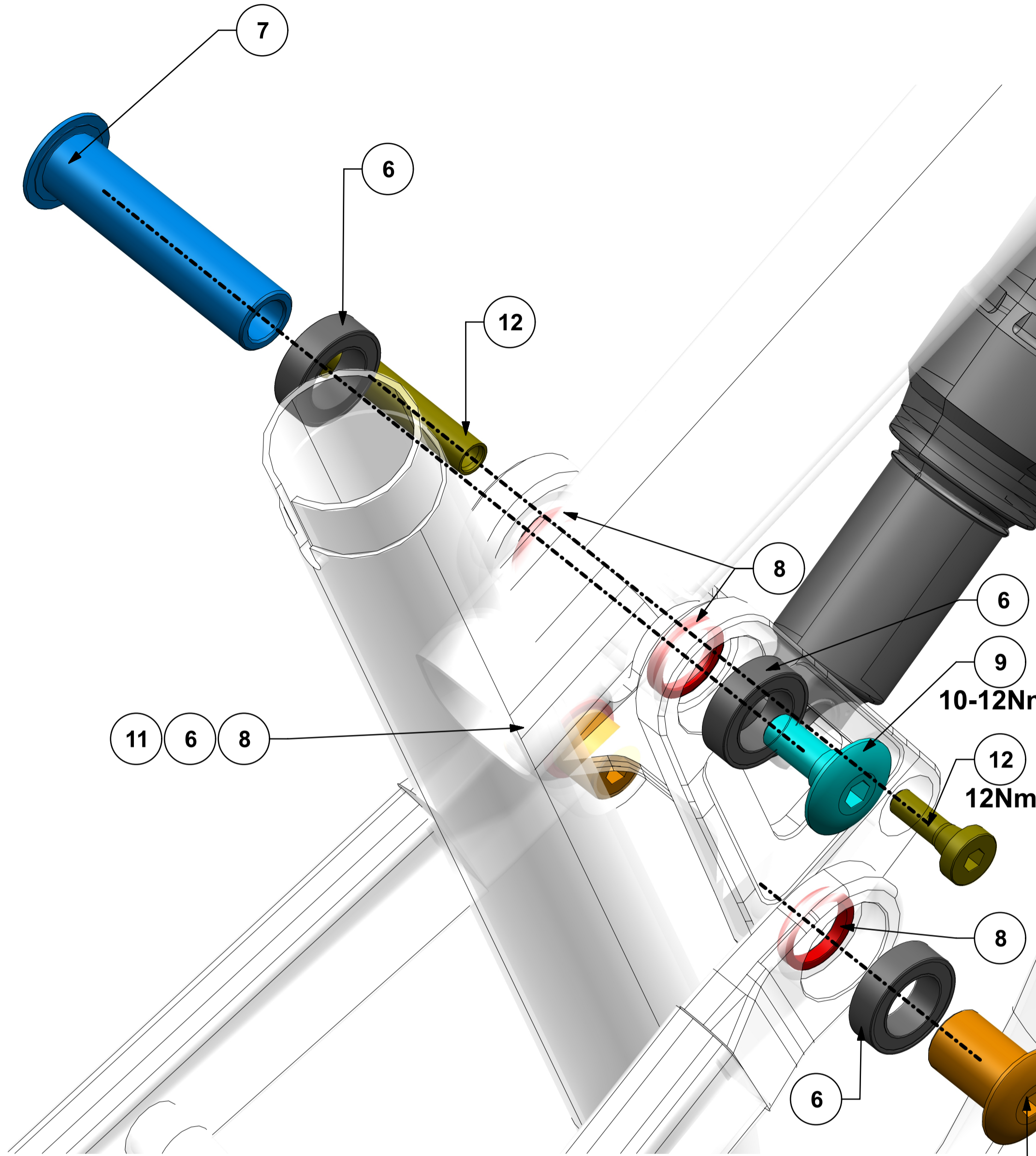
DETAIL C



SHOX HARDWARE :
24 x 8 (mm)

10
8-10Nm

DETAIL D

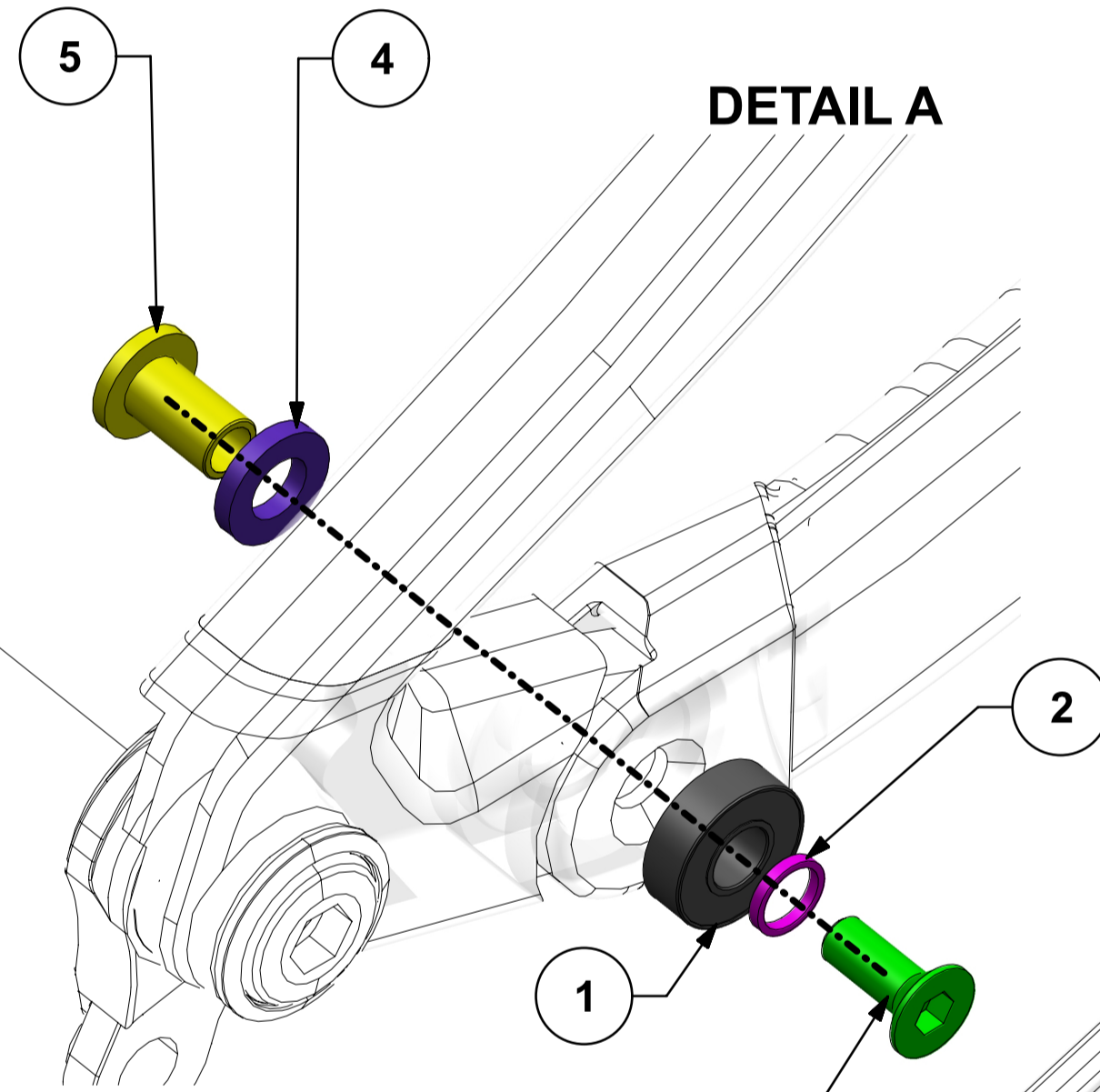


6
10-12Nm

12
12Nm

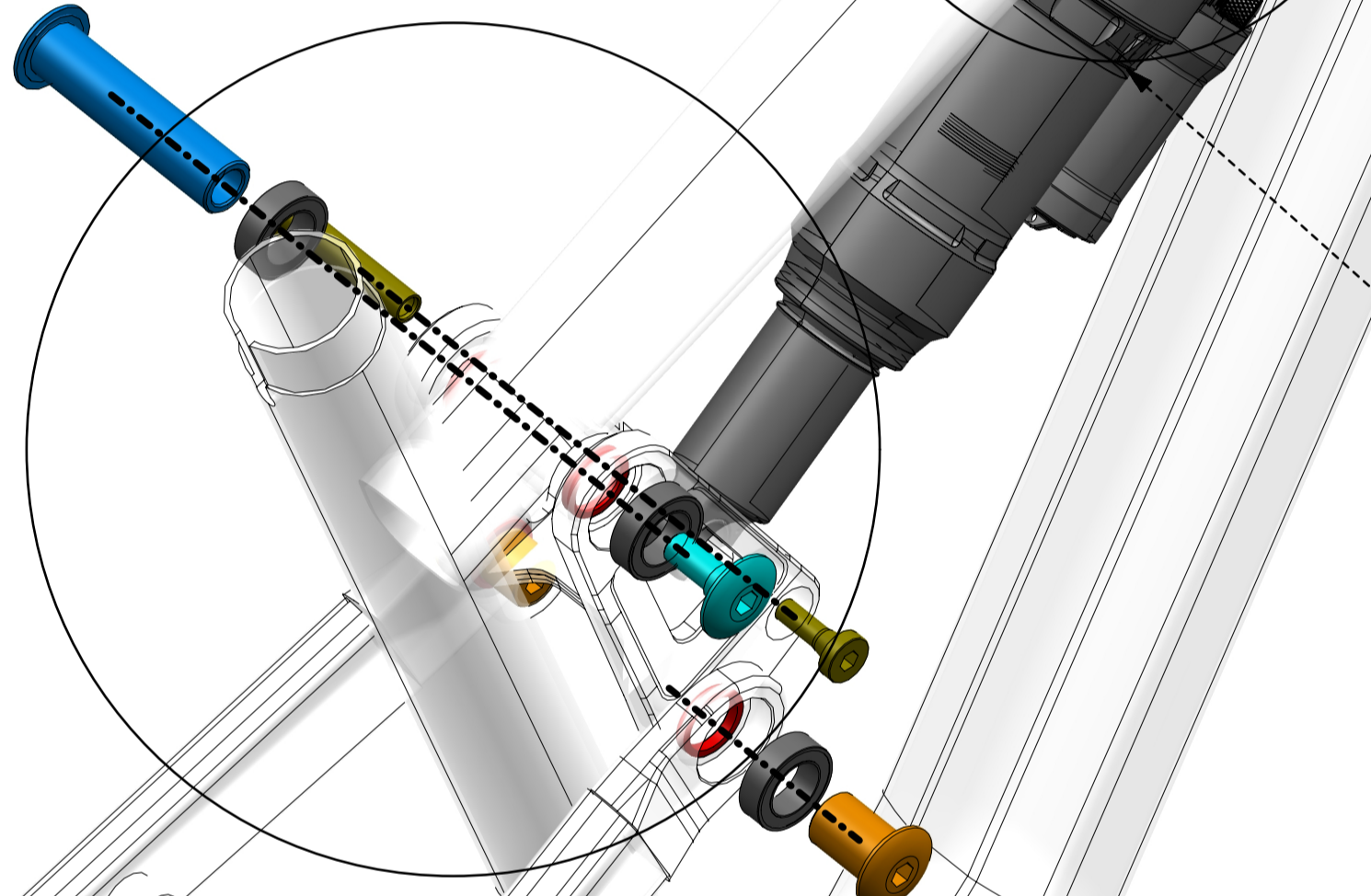
11
10-12Nm

DETAIL A



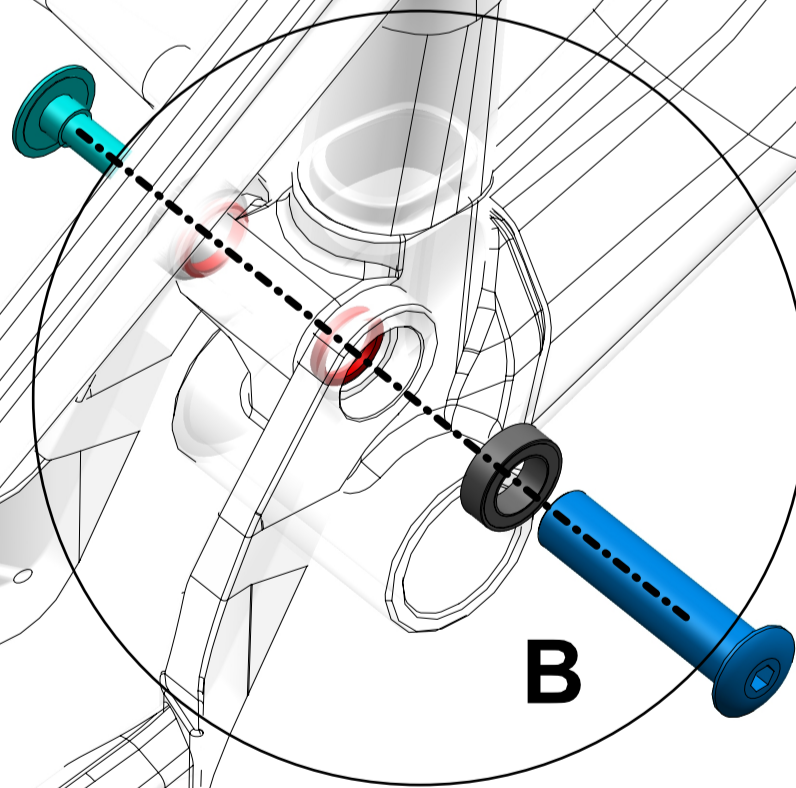
1
10-12Nm

D



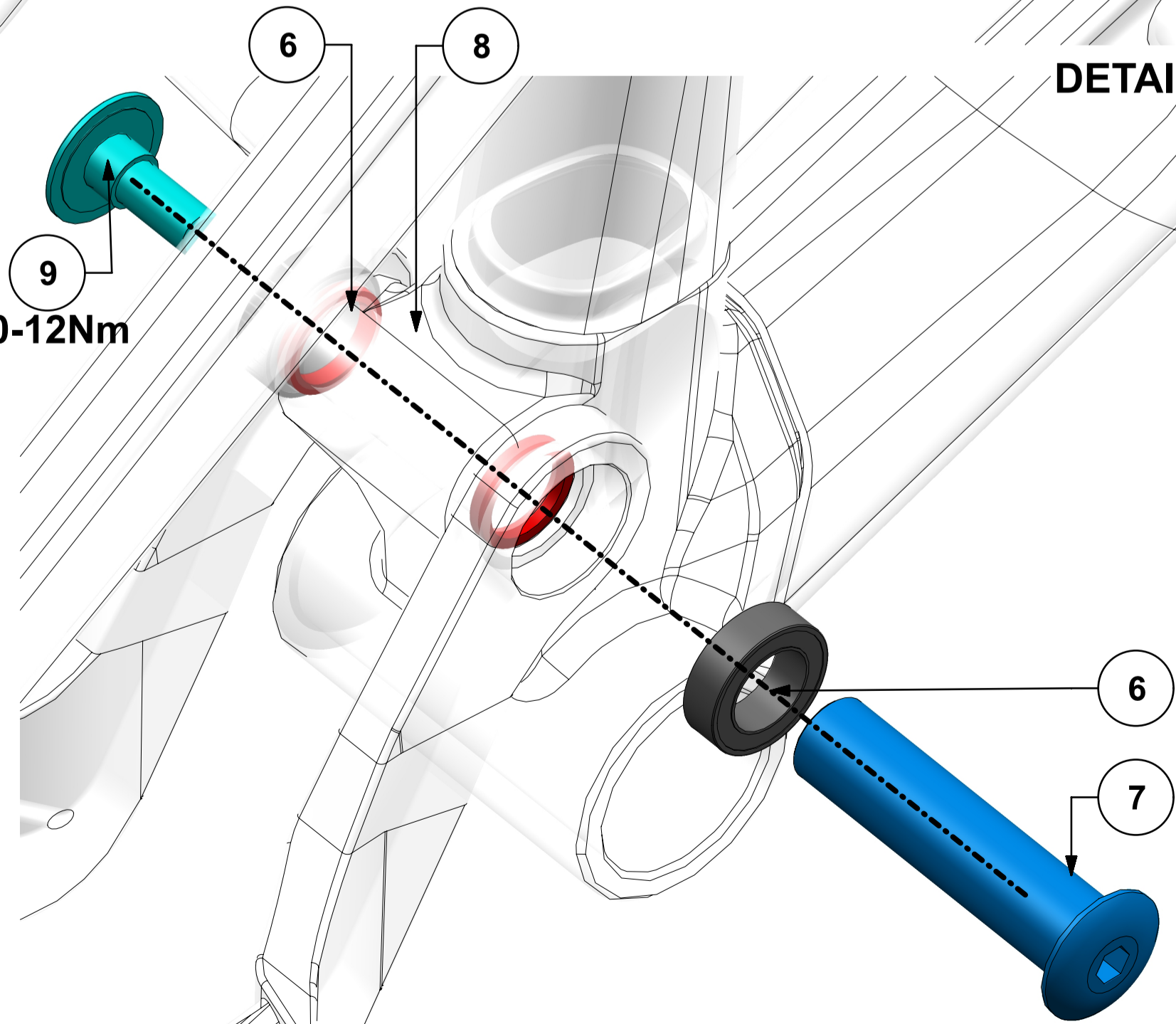
SHOX :
130 mm : 210x55
160 mm : 230x60

B



9
10-12Nm

DETAIL B



1	BEARING_19X8X6	2	{ 698-2RS }
2	SPACER 10X8.2X1.5	2	
3	SCREW M8X16	2	
4	SPACER 15X8.2X2.5	2	
5	SCREW 8XM6X16.5	2	
6	BEARING_24X15X7	6	{ 63802-2RS }
7	SCREW 15XM8XP1.25X67	2	
8	SPACER 19X15.2X3	6	
9	SCREW M8XP1.25X26L	2	
10	SCREW ST-003-M8X1 SET	1	
11	SCREW M14XP2X26L	2	
12	SCREW ST-002-M8X1 SET	1	
13	SPAX-UA-1-488X12MM_M12XP1.0X173L_BLK	1	
14	UDH HANGER SET_MR CONTROL	1	
PC NO	PART NAME	QTY	

CTM

TITLE		
SERVICE MANUAL		
SIZE A1	DRG NO. SKAUT 2024	SHEET REV A
SCALE 1:1	SHEET 1 OF 1	