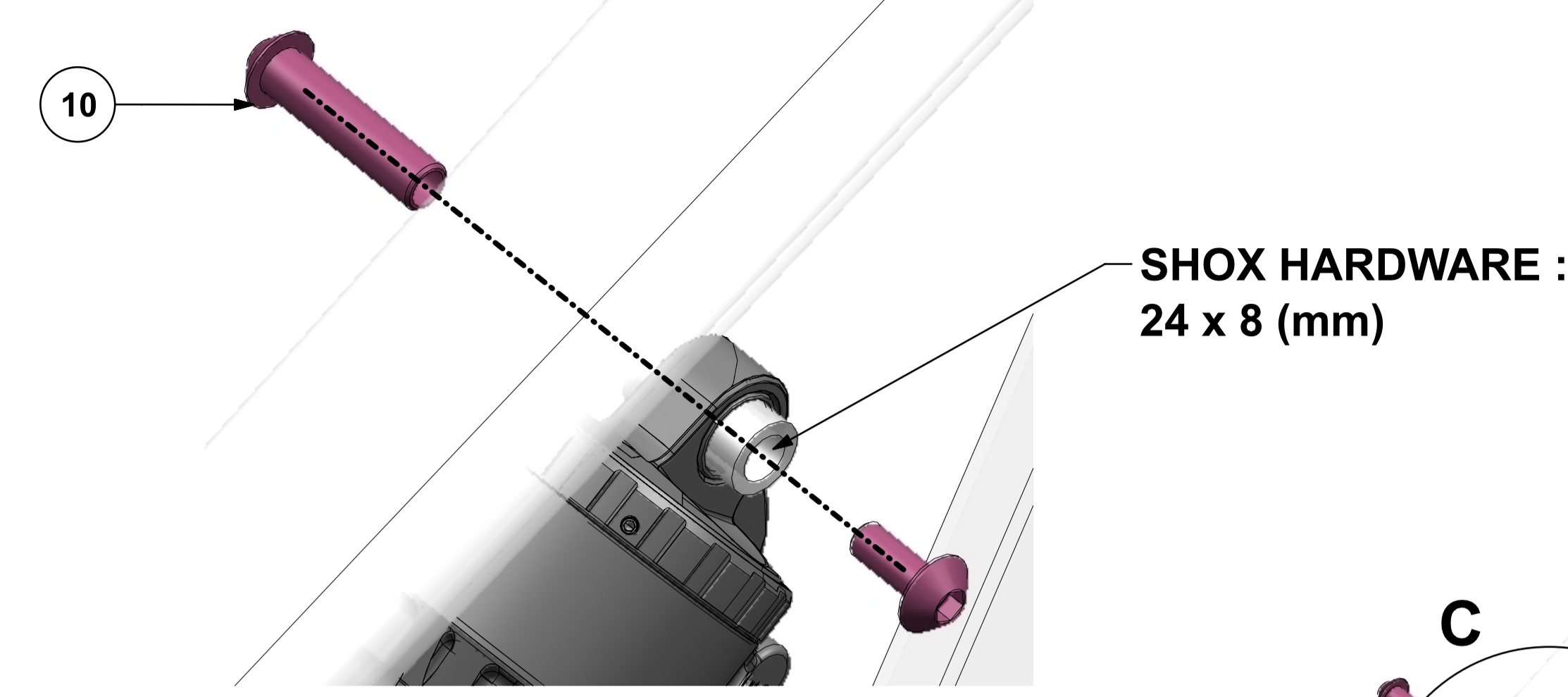
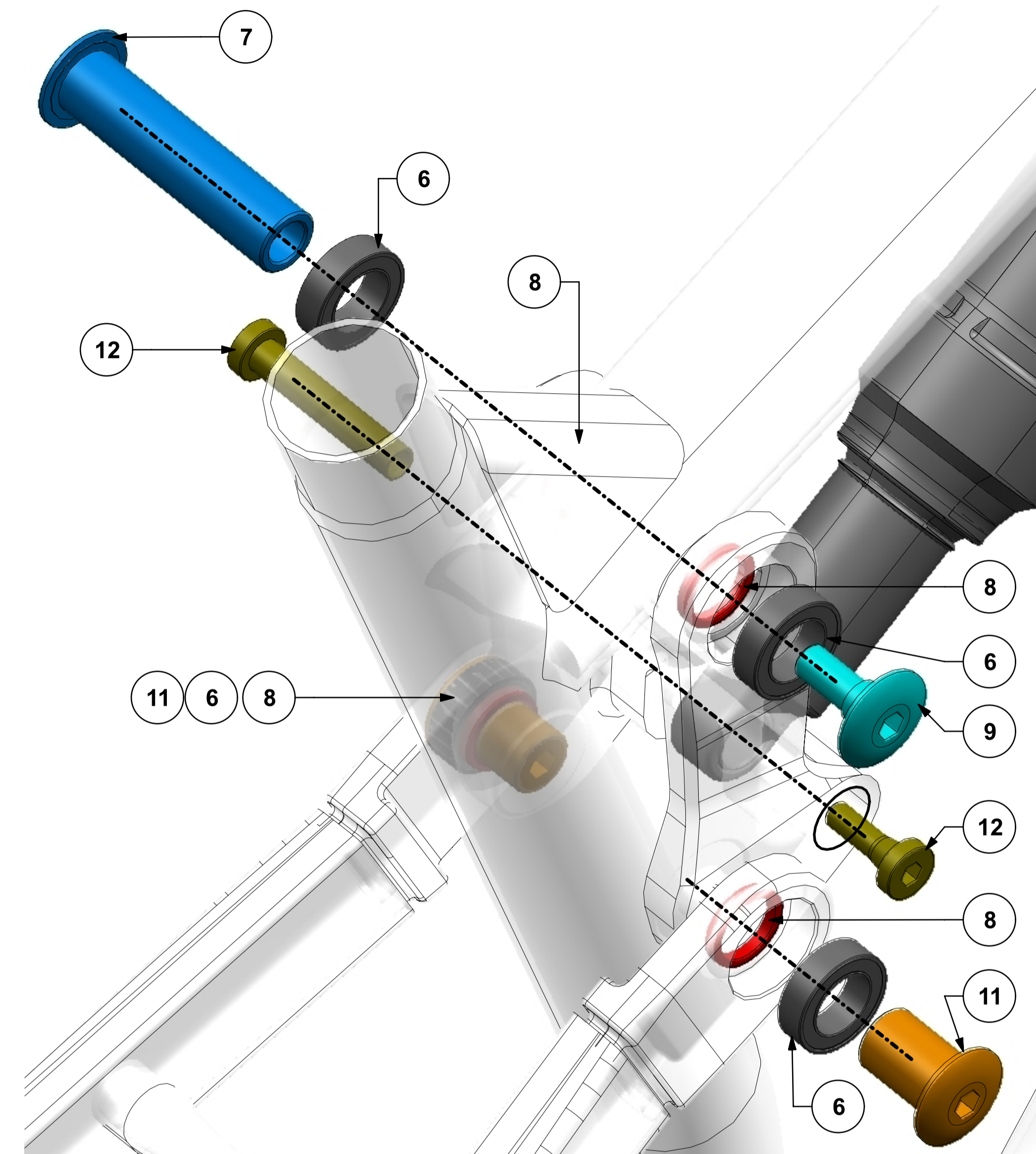


DETAIL C

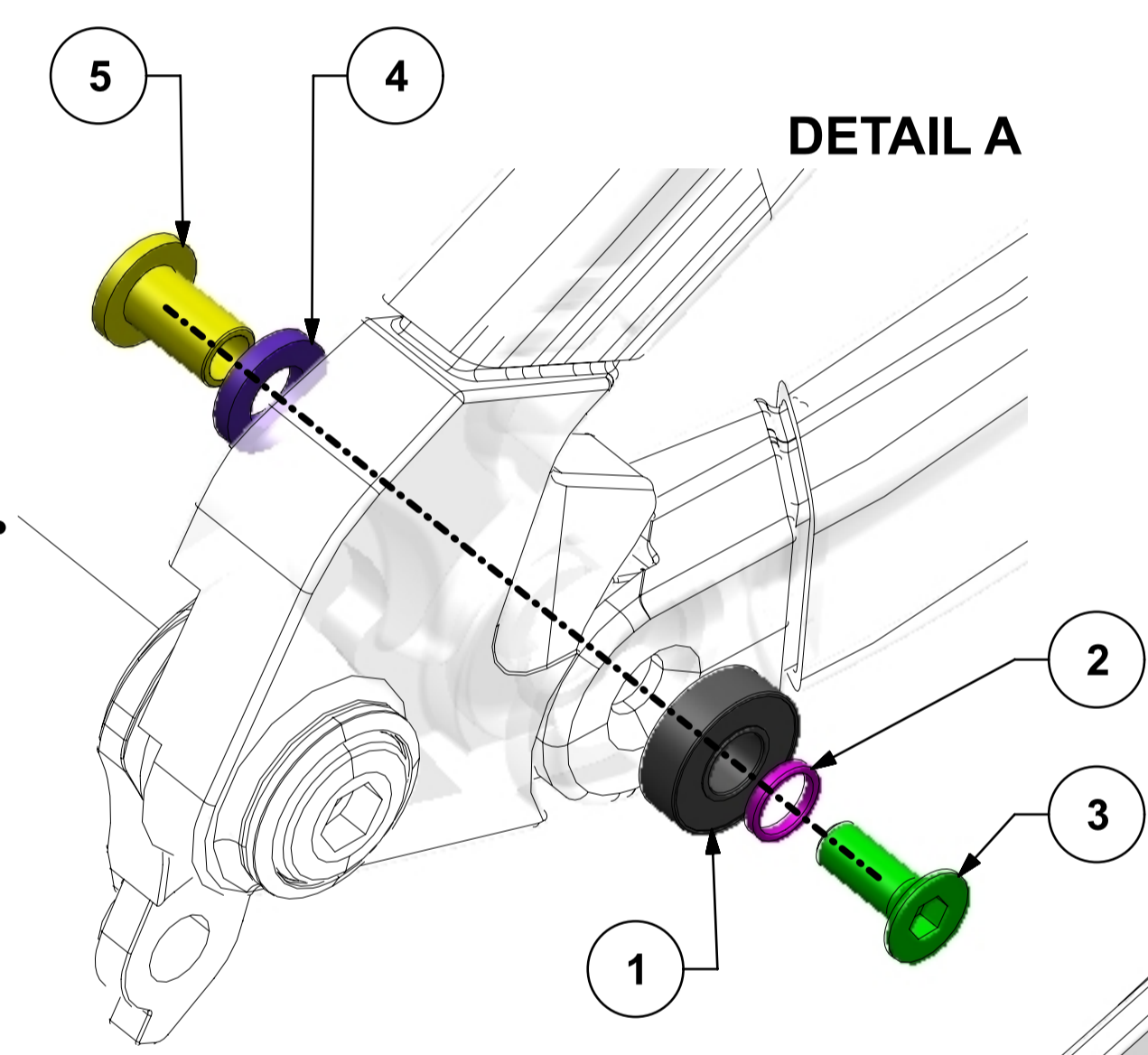


**SHOX HARDWARE :
24 x 8 (mm)**

DETAIL D

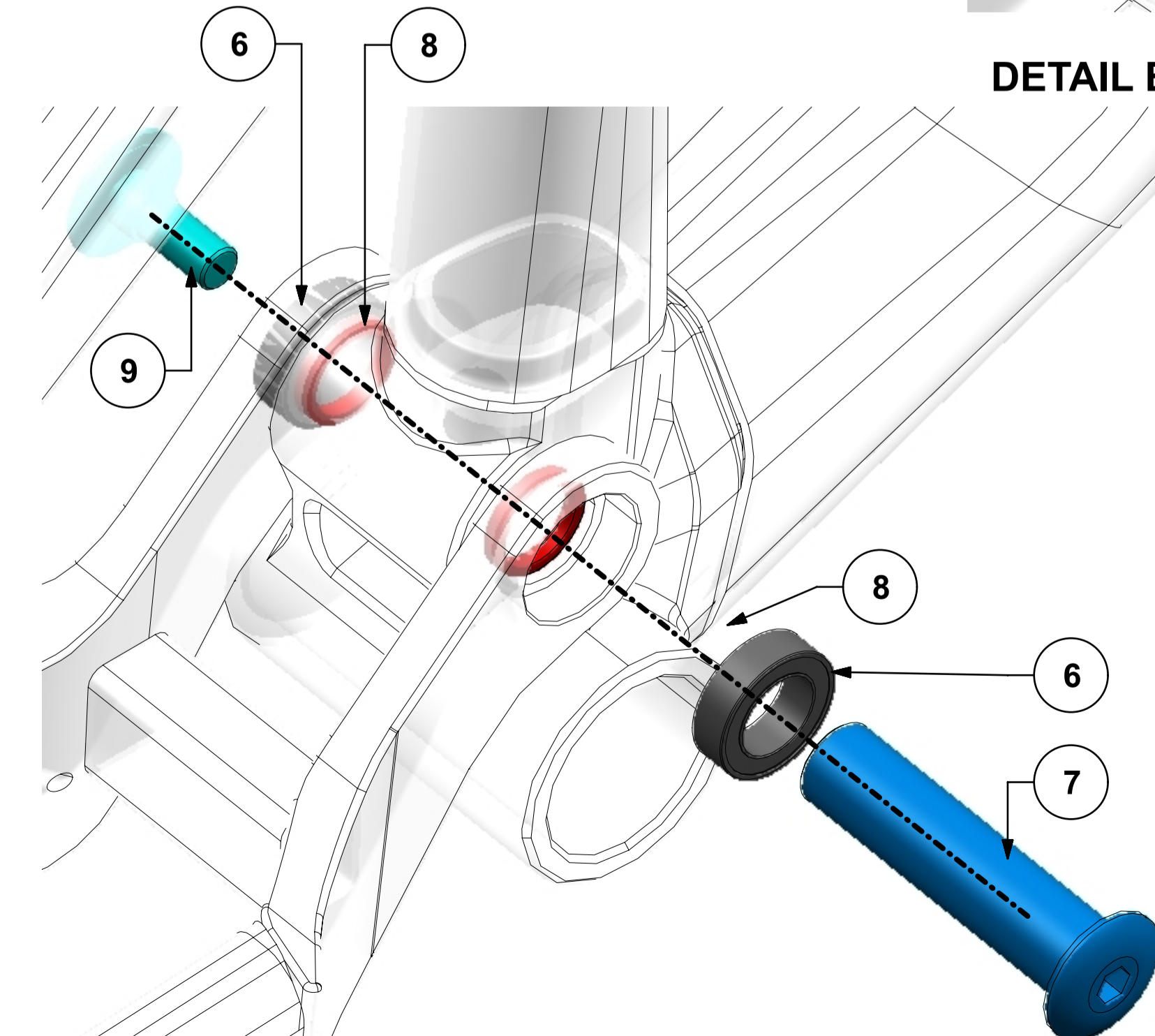


DETAIL A



**SHOX :
130 mm : 210x55
160 mm : 230x60**

DETAIL B



1	BEARING_19X8X6	2
2	SPACER 10X8.2X1.5	2
3	SCREW M8X16	2
4	SPACER 15X8.2X2.5	2
5	SCREW 8XM6X16.5	2
6	BEARING_24X15X7	6
7	SCREW 15XM8XP1.25X67	2
8	SPACER 19X15.2X3	6
9	SCREW M8XP1.25X26L	2
10	SCREW ST-003-M8X1 SET	1
11	SCREW M14XP2X26L	2
12	SCREW ST-002-M8X1 SET	1
13	SPAX-UA-1-488X12MM_M12XP1.0X173L_BLK	1
14	UDH HANGER SET_MR CONTROL	1
PC NO	PART NAME	QTY

CTM

TITLE		
SERVICE MANUAL		
SIZE A1	DRG NO. SKAUT 2024	SHEET REV A
SCALE 1:1	SHEET 1 OF 1	